

# Instruction Manual

## Hydraulic Drum Dumpers



DA45

DA45-1

**Note:** The Owner/Operator must read carefully and understand all the information presented here before operation

## DA45 series Drum dumper Figure



DA45



DA45-1



DA45



DA45-1

# Preface

1. In order to make the users quickly understand the structure and performance features of this product, so as to carry out regular maintenance as well as correct regulation of vehicle, our factory hereby compile this operation instruction sheet as well as spare parts table for users' reference.
2. Read the instruction sheet and parts table carefully before using and make clear the structural performance, Maintenance as well as attentions.
3. The personnel without license cannot operate the drum dumper. Only those qualified personnel with professional training as well as approved by relevant departments and familiar with the structural performance can independently operate the vehicle.
4. The work site of drum dumper shall be flat, solid place with enough loading capacity.
5. Our company will not hold any responsibility for the modification of drum rotator by users without the prior approval of our company.

# **Table of Contents**

- 1、 Brief introduction
- 2、 Main technical performance and parameter
- 3、 Technical Data
- 4、 Safety operation
- 5、 Maintenance

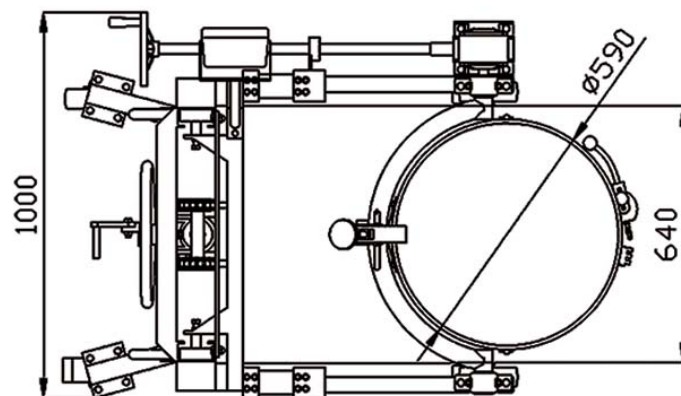
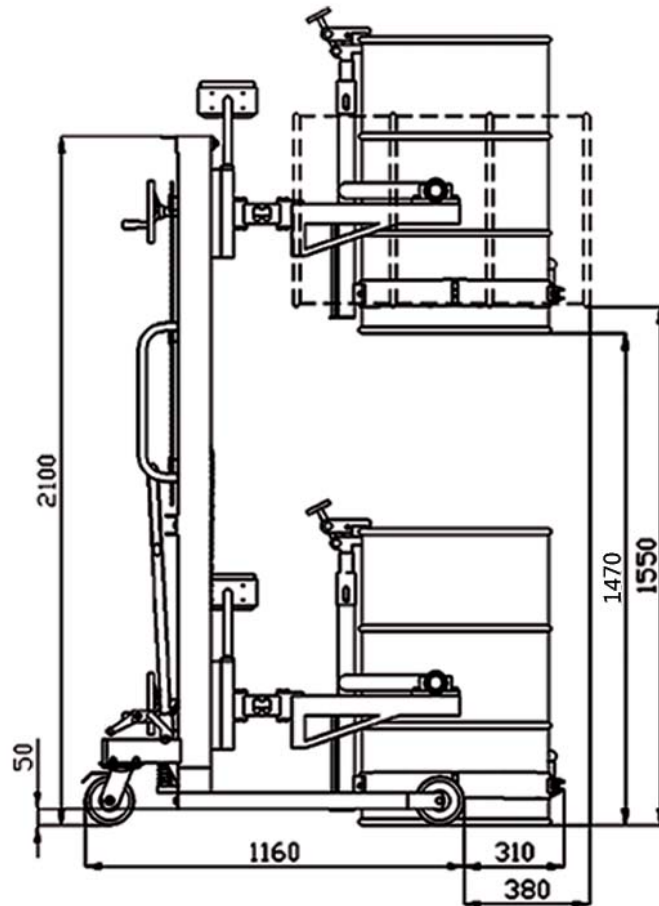
# 1、 Brief Introduction

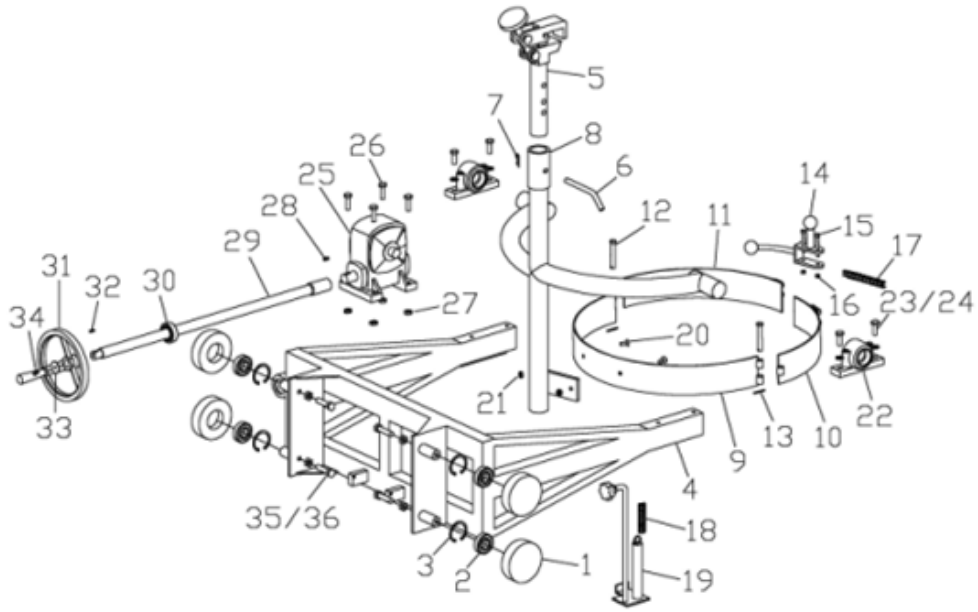
Safe drum dumping requires well-designed, ergonomic drum handling equipment to reduce risks of injury or property damage. hydraulic Drum Karriers, drum dumpers DA45 combine incredible strength with simple drum handling by one person. It can help you lift, move and pour plastic, fiber and steel drums, and also can provide controlled dispensing of your drums.

With the feature of simple design and easy operation, this all steel construction Hydraulic Drum Dumper is what you need to dump steel & plastic drums that weigh up to 450kg.

## 2.Main Technical Performance and Parameter

### 2.1





NO.	Name	Unit	Qty	NO.	Name	Unit	Qty
A1	Scroll wheel	pcs	4	A19	Drum clasp	pcs	1
A2	205 Bearing	pcs	4	A20	M8X20 sunk screw	pcs	2
A3	φ 52 Hole Stop Collar	pcs	4	A21	M8 nut	pcs	2
A4	Inner Tower	pcs	1	A22	Bearing pedestal	pcs	2
A5	Clamp	pcs	1	A23	M10X30 bolt	pcs	4
A6	Fixed pin	pcs	1	A24	φ 10 Flat Gasket	pcs	4
A7	R type pin	pcs	1	A25	Speed Reducer	pcs	1
A8	Clamp frame	pcs	1	A26	M10X40 bolt	pcs	4
A9	Hoop 1	pcs	1	A27	M10 Nut	pcs	4
A10	Hoop 2	pcs	1	A28	Pin 1	pcs	1
A11	Hoop 3	pcs	1	A29	Connecting rod	pcs	1
A12	Hoop Roller	pcs	2	A30	205 Bearing	pcs	1
A13	Hoop Pin	pcs	2	A31	Hand wheel	pcs	1
A14	Fastening Pieces	pcs	1	A32	Pin 2	pcs	1
A15	M8X15 bolt	pcs	2	A33	Gasket	pcs	1
A16	M8 Nut	pcs	6	A34	M5X10 bolt	pcs	1
A17	Fastening chain	pcs	1	A35	M12X80 bolt	pcs	4
A18	Spring	pcs	1	A36	M12 Nut	pcs	4

## 2.2. Feature Of

### Hydraulic Drum Dumpers

1. Floor lock;
2. Load capacity 450kg;
3. Base leg span 640mm;
4. Combined Eagle-grip structure and Anchorear structure together;
3. Suitable for handling steel and plastic drums;
4. Can be operated by one people
6. Manually rotate drums 180 degree;
7. Can keep drums at any angle;
8. The solid steel construction provides stability during transit;
9. Lowers drums to the floor;
10. All steel construction;
11. Drum Karriers provide controlled dispensing of your drum;
12. Suitable for 55 gallon steel drums & 210L rimmed plastic drums;
13. Widely used for chemical plants and food plants for transferring, loading & unloading, charging and compounding materials of fluids, such as dyes, paintings, adhesives, petrol, edible oils, etc
14. Special rolling technology manufacturing "C" type door frame, strong security



### 3、 Technical Data

Model		Hydraulic Drum Dumpers, Drum Handler DA45
Load capacity	kg	450
Net weight	Kg	176
Lifting height	mm	1500
Pouring height	mm	1580
Caster dimension	mm	Ø150*50
Inner/Outer width of front support legs	mm	650/810
Max. Grade ability (Fully-loaded/no-load)	%	3/5
Overall size	mm	1400*1000*2100

## **4、 Safety operation**

Operation of electric drum dumper

1.Open the anchor ear, adjust the lock ring-pull, making the anchor ear hold tightly the drum which need be transported. The plastic drum should use limiting stopper.

2.It can customize pedal and manually type , lifting the drum to the specified height. It can manually rotate 360 degree.

# 5. Maintenance

Weekly inspection

1. Check and screw up bolts and nuts;
2. Add butter to the UPC bearing every week regularly;
3. Change oil every a half year;